

Filter Cartridge Housing BECO INTEGRA® CART K Range



Large Flow Rates

BECO INTEGRA CART K filter cartridge housings from Eaton's Begerow Product Line housings are manufactured of AISI 316 stainless steel and are designed for use in liquid filtration processes in the beverages industries. This range is available in as an 8, 12, 16, 24, 36, and 48 fold cartridge design for sterile filtration or pre-filtration purposes.

Special Features

- Corrosion resistant, stainless steel 1.4404 material
- Increased safety through the use of code 7 adapters (double-leaf bayonet locking)
- Optimized housing design allows thorough and fast cleaning
- Low product loss on account of compact construction
- Sterilization with hot water or steam

Application

All BECO INTEGRA CART filter cartridge housings of this range are designed for the filtration of liquids and gaseous media of fluid groups 1 and 2 according to the Pressure Equipment Directive (PED) DGRL 97/23/EG. Different housing heights of 30" to 40" permit optimized adaption of housing size to product volume to be filtered. This reduces product loss and waste to a minimum. An optimized filtrate chamber design and a special filter surface finish provide for very easy cleaning and sterilizing.

BECO INTEGRA CART filter cartridge housings are suitable for the accommodation of BECO® pre-filter cartridges and BECO membrane filter cartridges.

Customized housings or additional components allow for system expansion or complete systems according to customer specifications.



Technical Data

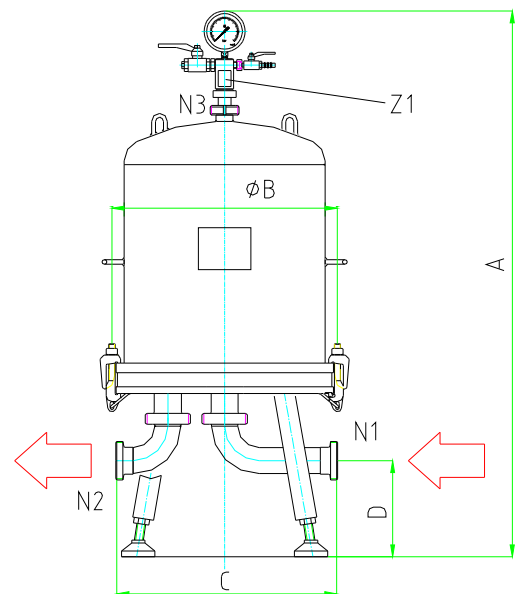
Max. permissible operating pressure:	87 – 145 psi (600 – 1,000 kPa/ 6 – 10 bar)
Max. permissible operating temperature:	248 – 284 °F (120 – 140 °C), depending on operating pressure

Article-no.	No. of cartr.	Length of cartr.	Dimensions in (mm)				Connections Standard DIN11851 DN...			Volume gal (l)	Weight lb (kg)	Operating pressure psi (bar)	Temperature °F (°C)
			A	B	C	D	Inlet	Outlet	Vent				
K0837050	8	30"	57.9 (1,470)	13.8 (350)	3.7 (306)	5.5 (450)	50	50	40	15.58 (59)	143.3 (65)	145 (10)	284 (140)
K0847050		40"	67.7 (1,720)							20.34 (77)	165.4 (75)		
K1237065	12	30"	57.9 (1,470)	5.5 (450)	3.7 (306)	5.5 (450)	65	65	40	28.53 (108)	198.4 (90)	145 (10)	284 (140)
K1247065		40"	67.7 (1,720)							36.98 (140)	227.1 (103)		
K1637065	16	30"	57.9 (1,470)	5.5 (450)	3.7 (306)	5.5 (450)	65	65	40	28.53 (108)	198.4 (90)	145 (10)	284 (140)
K1647065		40"	67.7 (1,720)							36.98 (140)	227.1 (103)		
K2437080	24	30"	57.9 (1,470)	6.7 (550)	6.2 (508)	5.5 (450)	80	80	40	44.65 (169)	396.8 (180)	145 (10)	284 (140)
K2447080		40"	67.7 (1,720)							57.06 (216)	452 (205)		
K2437086	24	30"	57.9 (1,470)	6.7 (550)	6.2 (508)	5.5 (450)	80	80	40	44.65 (169)	396.8 (180)	87 (6)	248 (120)
K2447086		40"	67.7 (1,720)							57.06 (216)	452 (205)		
K3637100	36	30"	57.9 (1,470)	7.9 (651)	7.4 (610)	5.5 (450)	100	100	40	66.31 (251)	537.9 (244)	145 (10)	284 (140)
K3647100		40"	67.7 (1,720)							85.59 (324)	612.9 (278)		
K3637106	36	30"	57.9 (1,470)	7.9 (651)	7.4 (610)	5.5 (450)	100	100	40	66.31 (251)	537.9 (244)	87 (6)	248 (120)
K3647106		40"	67.7 (1,720)							85.59 (324)	612.9 (278)		
K4837100	48	30"	57.9 (1,470)	9.1 (751)	9.3 (765)	5.5 (450)	100	100	40	95.63 (362)	679 (308)	145 (10)	284 (140)
K4847100		40"	67.7 (1,720)							124.16 (470)	771.6 (350)		
K4837106	48	30"	57.9 (1,470)	9.1 (751)	9.3 (765)	5.5 (450)	100	100	40	95.63 (362)	679 (308)	87 (6)	248 (120)
K4847106		40"	67.7 (1,720)							124.16 (470)	771.6 (350)		

Housing Material

Product contacting parts:	Stainless steel AISI 316L/AISI 316 Ti
Others:	Stainless steel AISI 304
Gaskets:	EPDM (or Viton, Silicone upon request)

Housing is suitable for:	Media of fluid group 1 and 2 according to DGRL (PED) 97/23/EC
Housing connections:	DIN 11851 round thread connection
Vent:	Round thread connection DN 40 according to DIN 11851
Drain:	None (should be arranged in the pipe installation of inlet and outlet)
Fittings:	Vent unit (Z1) is included in the scope of delivery drainage unit as additional equipment available
HS Customs Tariff:	8421 29 00



North America - HQ

44 Apple Street,
Tinton Falls, NJ 07724
Toll Free: 800 656-3344
(North America Only)
Voice: +1 732 212-4700

Europe/Africa/Middle East

Auf der Heide 2
53947 Nettersheim, Germany
Voice: +49 2486 809-0

Internormen Product Line

Friedensstraße 41
68804 Altlussheim, Germany
Voice: +49 6205 2094-0

Begerow Product Line

An den Nahewiesen 24
55450 Langenlonsheim, Germany
Voice: +49 6704 204-0

Brazil

Av. Julia Gaioli, 474 - Bonsucesso
07251-500 - Guarulhos
Brazil
Voice: +55 11 2465 8822

China

No. 7 Lane 280 Linhong Road,
Changning District,
Shanghai 200335, China
Voice: +86 21 5200 0422

Singapore

4 Loyang Lane #04-01/02
Singapore 508914
Voice: +65 6825 1668

For more information, please e-mail us at filtration@eaton.com or visit us online at eaton.com/filtration for a complete list of Eaton's filtration products.

Not all products in Eaton's Begerow Product Line are available in all regions. Please contact your local Eaton office to determine availability.

© 2012 Eaton Corporation. All Rights Reserved. All trademarks and registered trademarks are the property of their respective owners.

All information and recommendations appearing in this brochure concerning the use of products described herein are based on tests believed to be reliable. However, it is the user's responsibility to determine the suitability for his own use of such products. Since the actual use by others is beyond our control, no guarantee, expressed or implied, is made by Eaton as to the effects of such use or the results to be obtained. Eaton assumes no liability arising out of the use by others of such products. Nor is the information herein to be construed as absolutely complete, since additional information may be necessary or desirable when particular or exceptional conditions or circumstances exist or because of applicable laws or government regulations.



Powering Business Worldwide

EN
1 A 7.2.3
12-2012